

# Product Data Sheet



**Type/Item No: DLL.1 Light Lifter**

## Features:

The Lighting Lifter provides a safe, fast and convenient method for maintaining all type of Luminaires. The innovative design can supply the solutions for multi-purpose and many varied applications. Using a single remote control for up to 250 sets of lifters. Power is disconnected from the light when in operation.

- Low noise
- Self locking device, when power off
- Patented technology
- Rolling wire device
- Easy to operate
- Very low maintenance
- Synchronous transmission
- Low carbon alloy steel



**Class: 1 IP: 54 Colour:**

1 54

## Light Source:

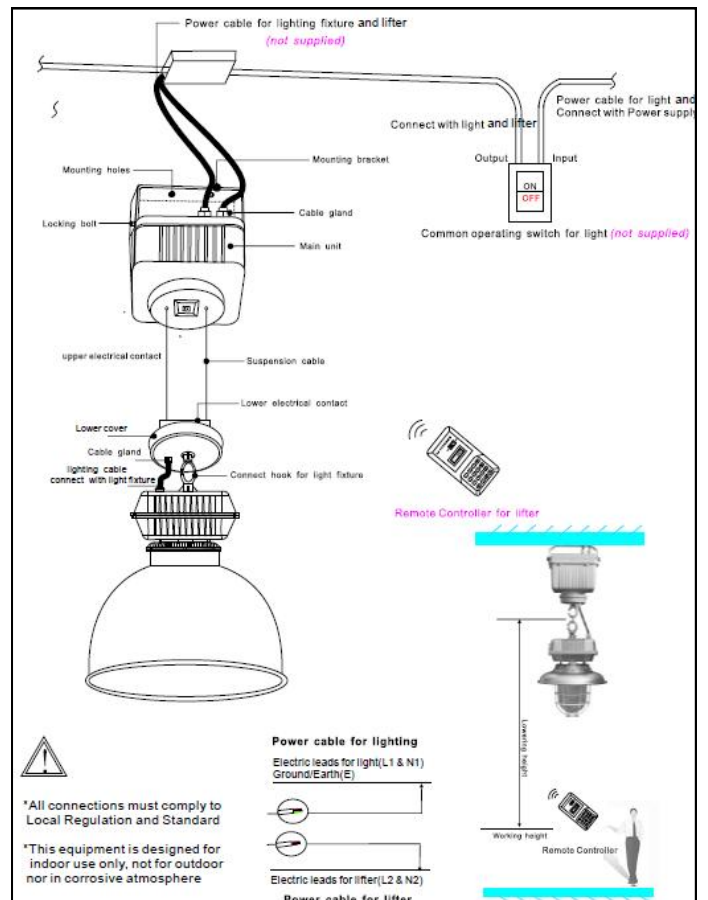
## Control Equipment:



Built in

## Dimensions:

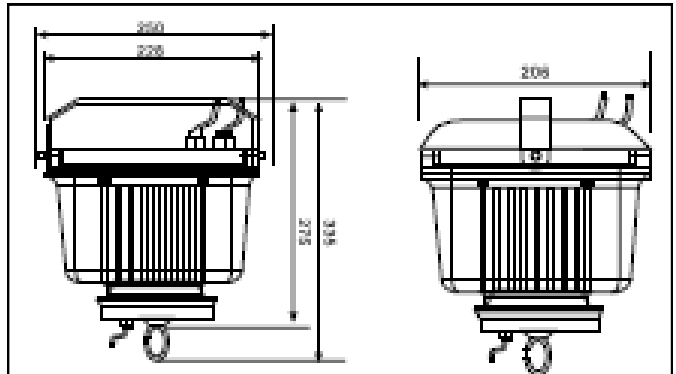
As Shown



# Product Data Sheet

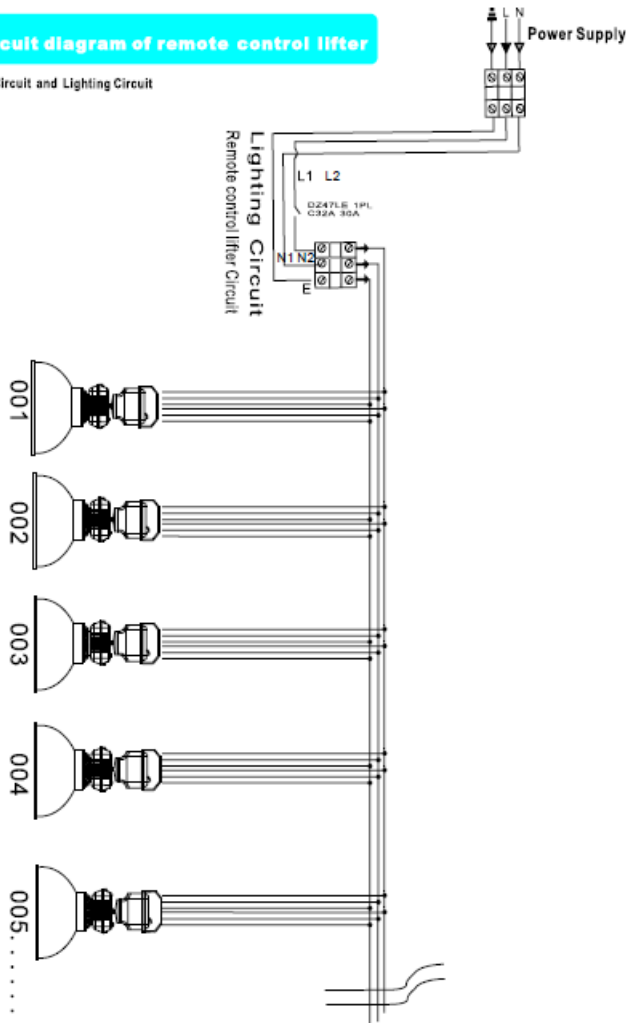


Net Weight	4.9Kg
Lifting Height(m)	18M
Lifting Weight(kg)	20kg
Frequency	50Hz
Lifting speed(m/min)	0.9m/min & 1.8m/min
Protection	IP54
Anti-electric shock	Grade 1
Steel wire rope qty	2
Wire rope Dia(mm)	1.8mm
Remote control frequency	315Hz-413Hz
Remote control distance (m)	35m
Max Control Qty	250/ 1pc remote control
Motor Power	35w
Motor type	AC
Rated Current of Light	12A



## Circuit diagram of remote control lifter

Lifter Circuit and Lighting Circuit



**Note:**  
 "Lighting circuit must be installed and connected strictly according to relevant nation's electrical standard!"

### Circuit instruction

Remote control lifter contains two groups of divided circuit lines: one is for lighting circuit and the other is for lifter circuit, which are independent of each other. One remote controller can control 256pcs lifter at most.