

Product Data Sheet



Type/Item No: **LEDF30.2 MK2**

Features:

- High Output LED chip
- Polyester paint finish
- Die-cast aluminium alloy body
- Internal IP65 rated LED driver
- Beam Angle 120deg
- 2 year warranty*
- Operating temperature -20deg +45deg
- Outdoor : IP65 rated
- 1.57Kg Gross weight
- Stainless steel screws
- Stainless steel cable entry
- Tempered front glass
- Supplied c/w Flex & plug base
- Finned rear heat sink.
- Low operating temperature
- Improved heat dispersion
- Adjustable trunnion mounting bracket
-



Class:	IP:	Colour:
1	65	BLACK

Light Source:

Epistar SMD 5730 LED chip 2400Lumens @6000K

Control Equipment:

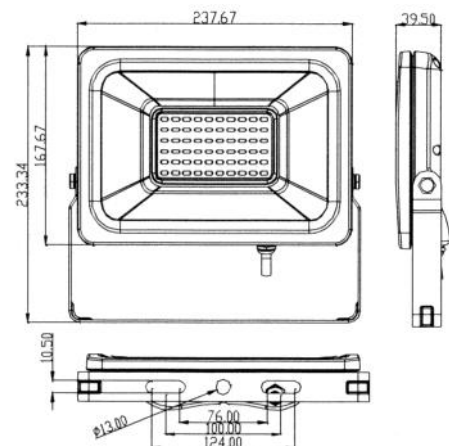


COMPLIANCES:	
Magnetic Emission	EN55015
Harmonic	EN61000-3-2
Flicker	EN61000-3-3
Immunity	EN61547
Safety	EN61347-1
Tested to IEC	61347-2-13(LED control gear)

SAA Certificate: SAA141376

Dimensions:

As Shown



* based on 8hrs per day operating cycle